

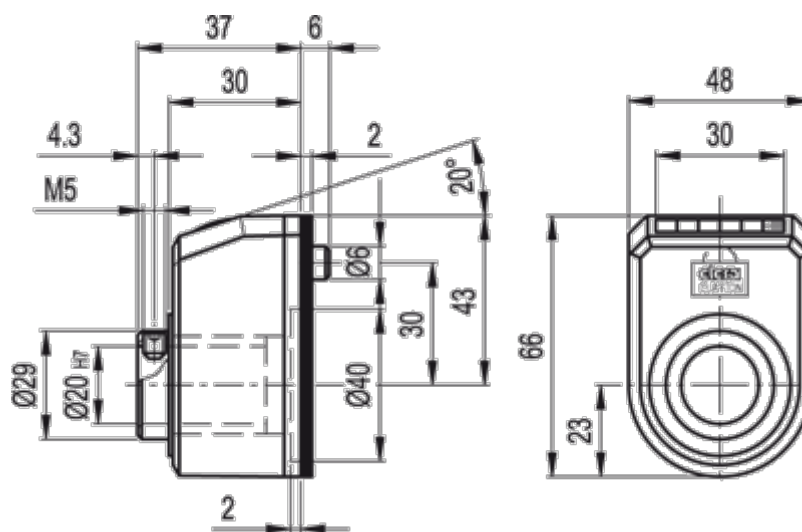
Data Sheet



Article number: 2307082699

Description: E+G Direct drive position indikator
DD52R-AR-0002.5-D-C2 (Orange)

Measures



Max rpm = 1000